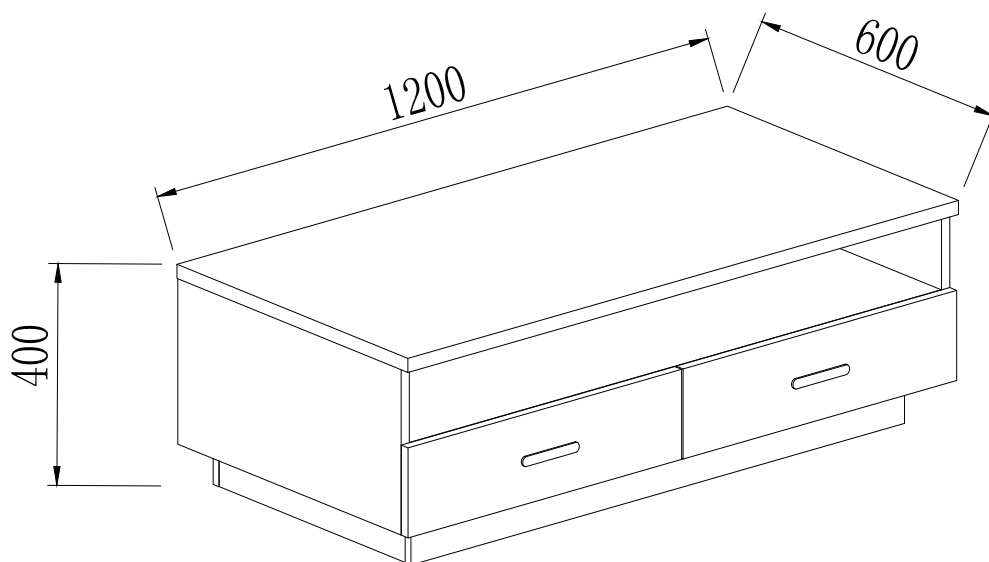




**ASSEMBLY INSTRUCTION**  
**KERID COFFEE TABLE**  
**ITEM CODE 86759**



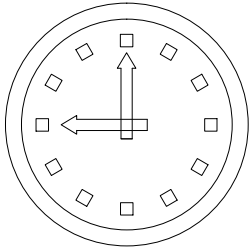
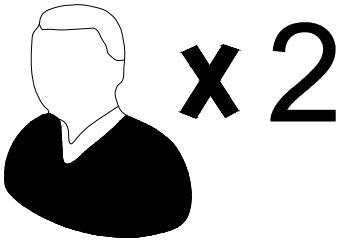

Imported by Amart Furniture Pty Ltd. Qld. Brisbane Australia.

For any assistance with assembly or for missing parts please phone Amart Furniture Customer Service Free call 1800 351 084

# PRE-ASSEMBLY PREPARATION

## Before you start:

1. Choose a clean, level, spacious assembly area. Avoid hard surfaces that may damage the product
2. Take care when lifting. Product should be assembled as near as possible to the point of use
3. Ensure that you have all required contents for complete assembly.
4. Always read the assembly instructions carefully before beginning assembly.
5. Keep all hardware parts and packaging out of reach of small children.
6. Do not over tighten the screws and bolts as this may damage the threads

 <p>ALLOW 45 MINUTES</p>	 <p>2 PEOPLE REQUIRED</p>
 <p>⊕</p> <p>ADDITIONAL TOOLS REQUIRED</p>	

<b>⚠ WARNING</b>		
		<p><b>Children have died from furniture tipover.</b></p> <ul style="list-style-type: none"><li>• ALWAYS secure it with an anchor device.</li><li>• NEVER allow children to stand, climb or hang on drawers, doors, or shelves.</li><li>• NEVER open more than one drawer at a time.</li><li>• Place heavy items down low</li></ul> <p><b>NEVER put a TV on this furniture</b> </p> <p><b>This is a permanent label. Do not remove!</b></p>

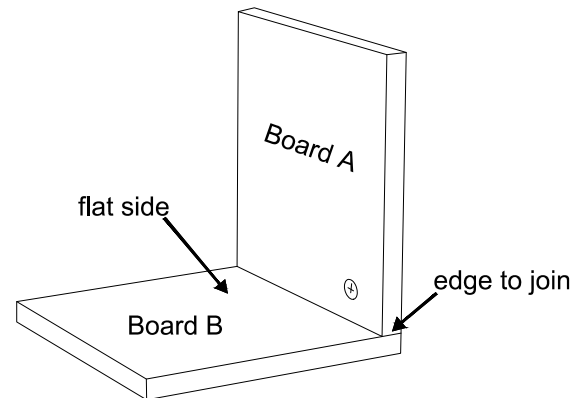
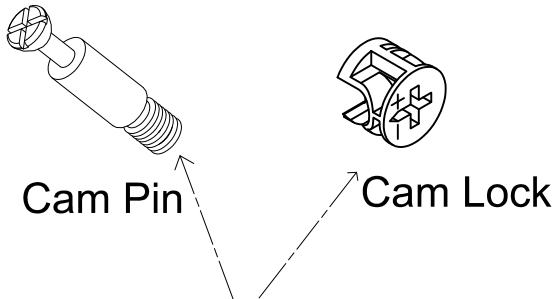
# CAM Lock and Pins

## step 1

### HOW TO USE CAM LOCK FASTENERS

To assemble this product hardware called Cam Lock Fasteners are used. The below is information on how these work.

Cam Locks are fasteners used to join two boards together, usually the edge of one board(A) to the flat side of another board(B)



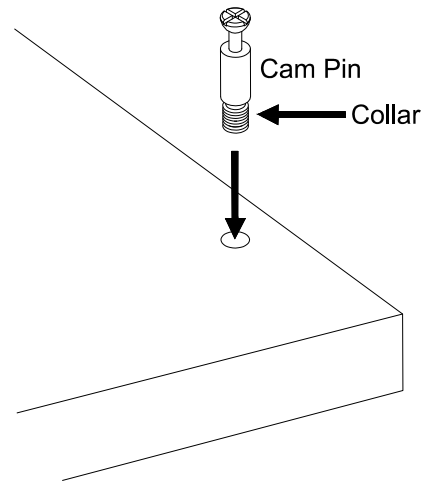
Ensure that you use the correct images that are representative of the hardware used in the product

## step 2

### To use Cam Lock Fasteners

The Cam Pin is inserted into the flat side of a board, it is important that:

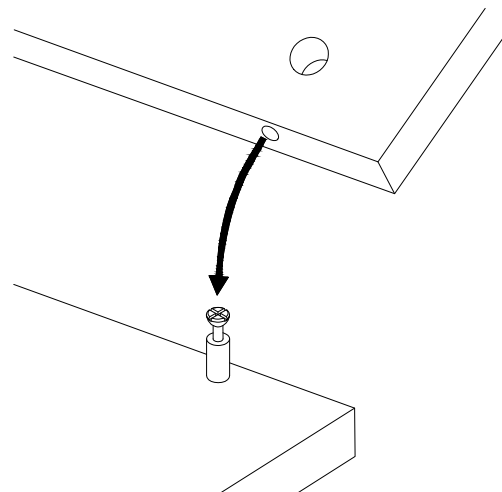
- \* The cam pin is kept vertical and is not put in on an angle
- \* Cam Pin is inserted up to the collar
  - \* Too far and it wont catch the Cam Lock (Do not Over Tighten)
  - \* Not enough and the resulting product wont be stable



## step 3

### To use Cam Lock Fasteners

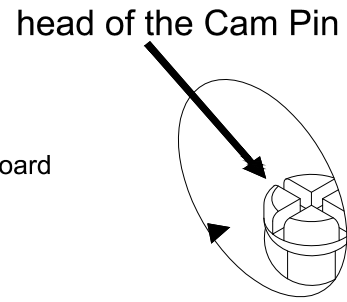
Now fit the hole in the edge of the joining board over the Cam Pin



## step 4

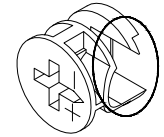
### To use Cam Lock Fasteners

The Head of the Cam Pin will be visible in the large hole on the side of the joining board



### To use Cam Lock Fasteners

Notice the Cam Lock has a "C" Shaped back An Arrow or +/- signs on the front, indicated the open section on the back of the Cam Pin

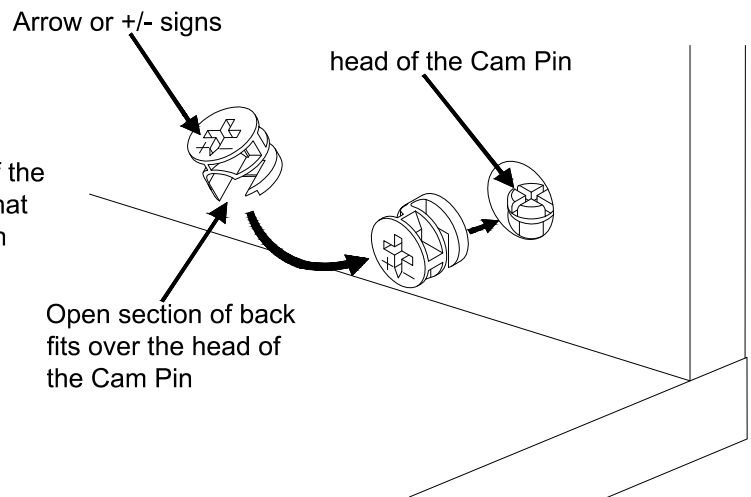


Cam Lock

## step 5

### To use Cam Lock Fasteners

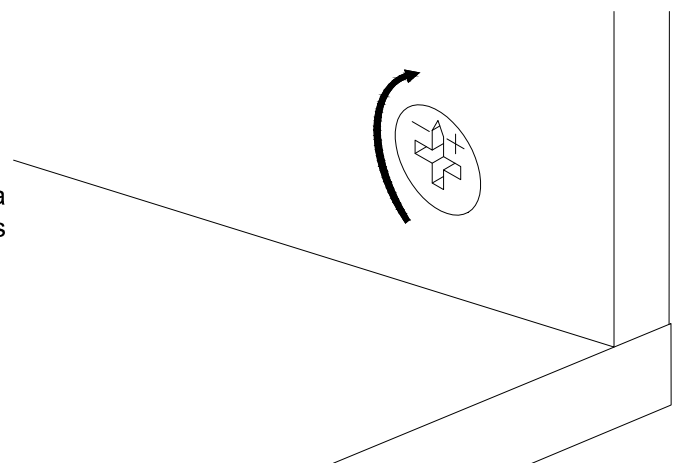
In sert the Cam Lock into the large hole so the opening of the "C" fits over the head of the Cam Pin. You must ensure that the Cam Lock is pushed to the bottom of the hole to catch the top of the Cam Pin



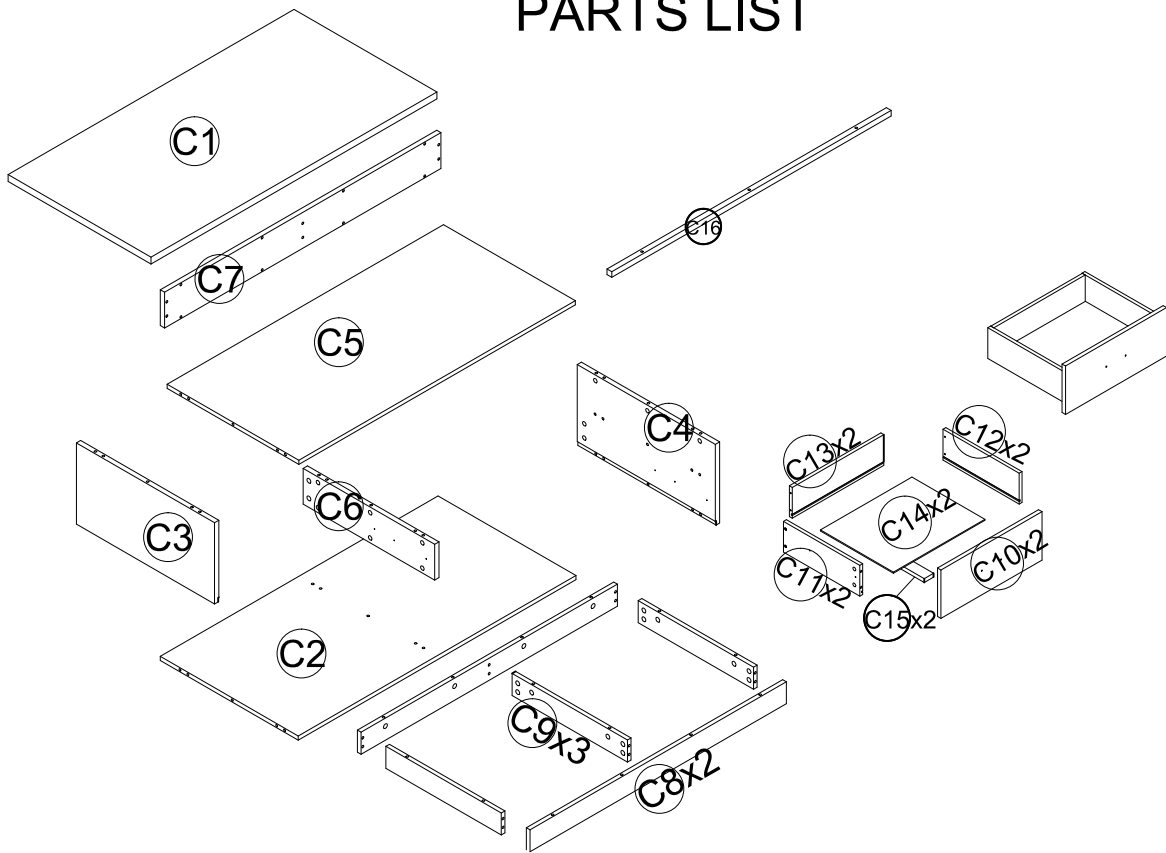
## step 6

### To use Cam Lock Fasteners


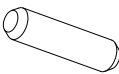
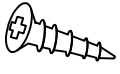

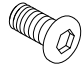
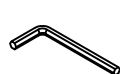

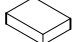

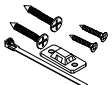


Use a flat screwdriver to turn the Cam Lock clockwise one half a turn so it Locks onto the head of the Cam Pin. Turn only until it is snug-over-tightening could cause the Cam to bend or break. If it will not turn the full amount, turn the Cam Pin out (counter-clockwise) one full turn, and try the Cam Lock again.



# PARTS LIST



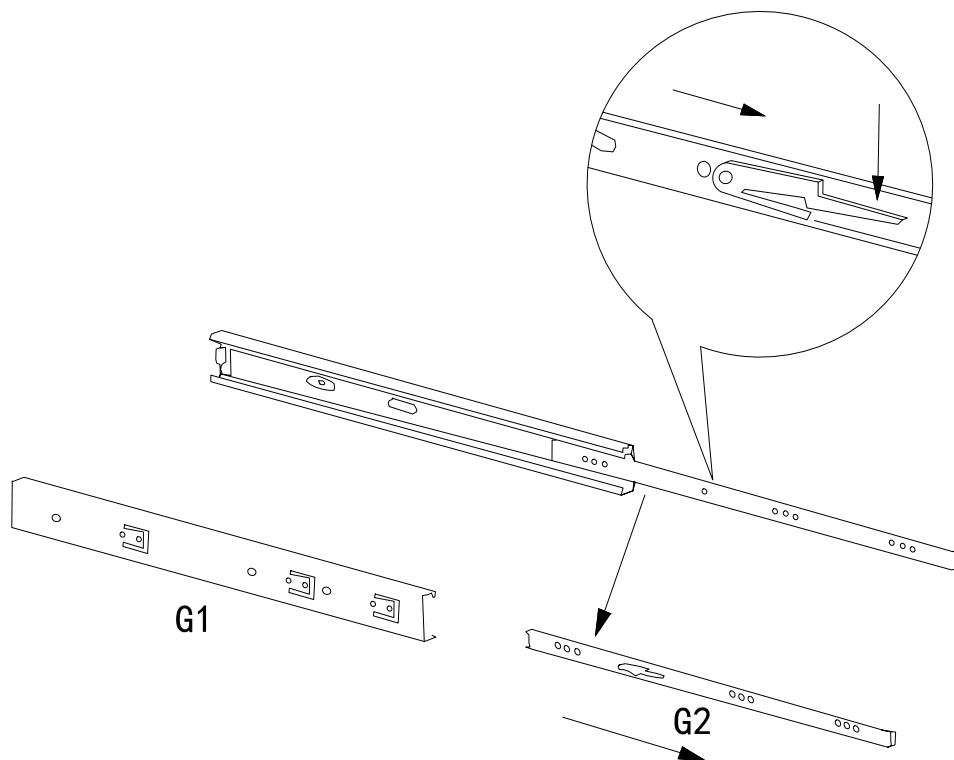
C1	Top Panel	C9X3	Leg
C2	Bottom Panel	C10X2	Drawer Front Panel
C3	Left Side Panel	C11	Drawer Left Side Panel
C4	Right Side Panel	C12	Drawer Right Side Pane
C5	Shelf panel	C13	Drawer Back Panel
C6	Middle partition	C14	Drawer Bottom Panel
C7X2	Back Panel	C15	Drawer Bottom Support Panel
C8X2	Leg		

A. Cam lock and Cam pin Ø15X35	<input type="checkbox"/>	B. Dowel Ø8x30	<input type="checkbox"/>	C. Screw Ø3.5x12	<input type="checkbox"/>	D. Screw Ø3.5x30	<input type="checkbox"/>	E. Bolt M6x30	<input type="checkbox"/>	F. Hex Key 4MM	<input type="checkbox"/>	G. Runner	<input type="checkbox"/>
													
74PCS		16PCS		24PCS		12PCS		3PCS		1PCF		4PCS	
H. Protect foam 20x14x5mm	<input type="checkbox"/>	I. GLUE	<input type="checkbox"/>	J. Safety Bracket Kit	<input type="checkbox"/>	M. Screw Ø4x22	<input type="checkbox"/>	P.	<input type="checkbox"/>				
													
9PCS		1PCE		1PCS		4PCS		2PCS					

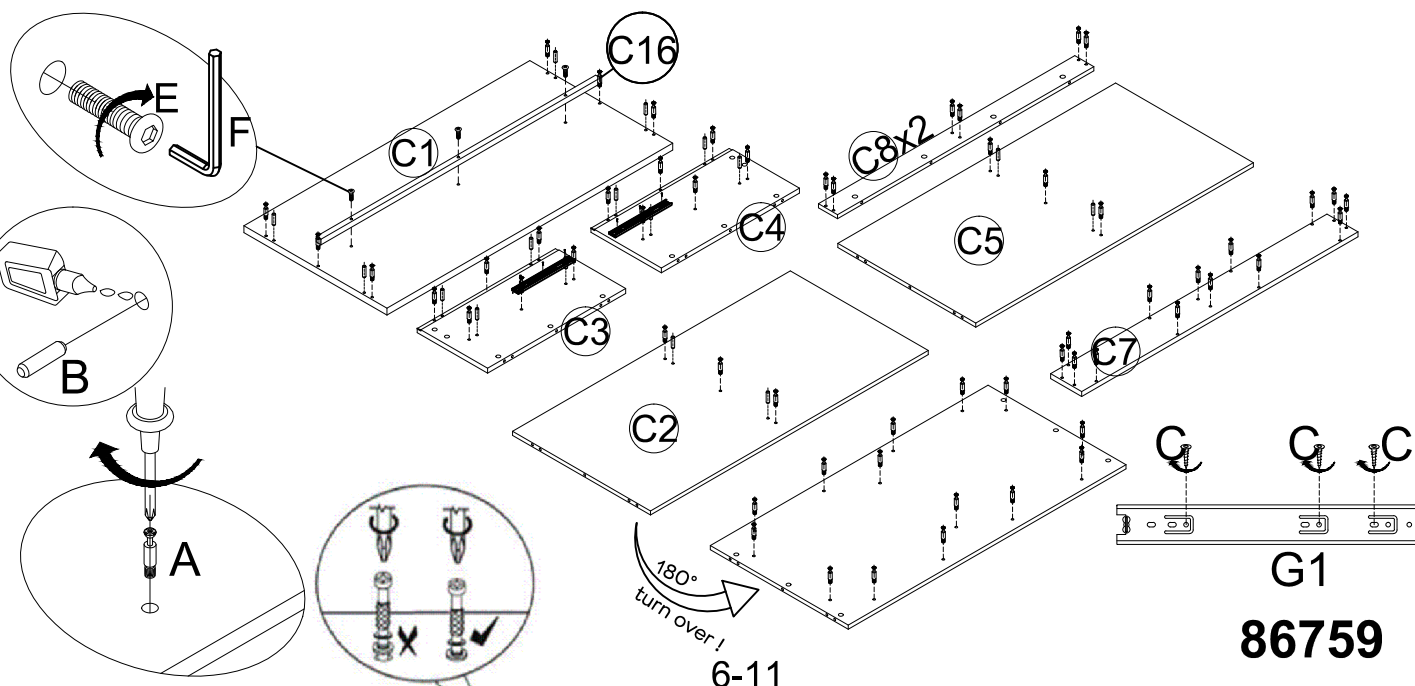
## STEP 1:

Runner slide separately ( $G=G1+G2$ )

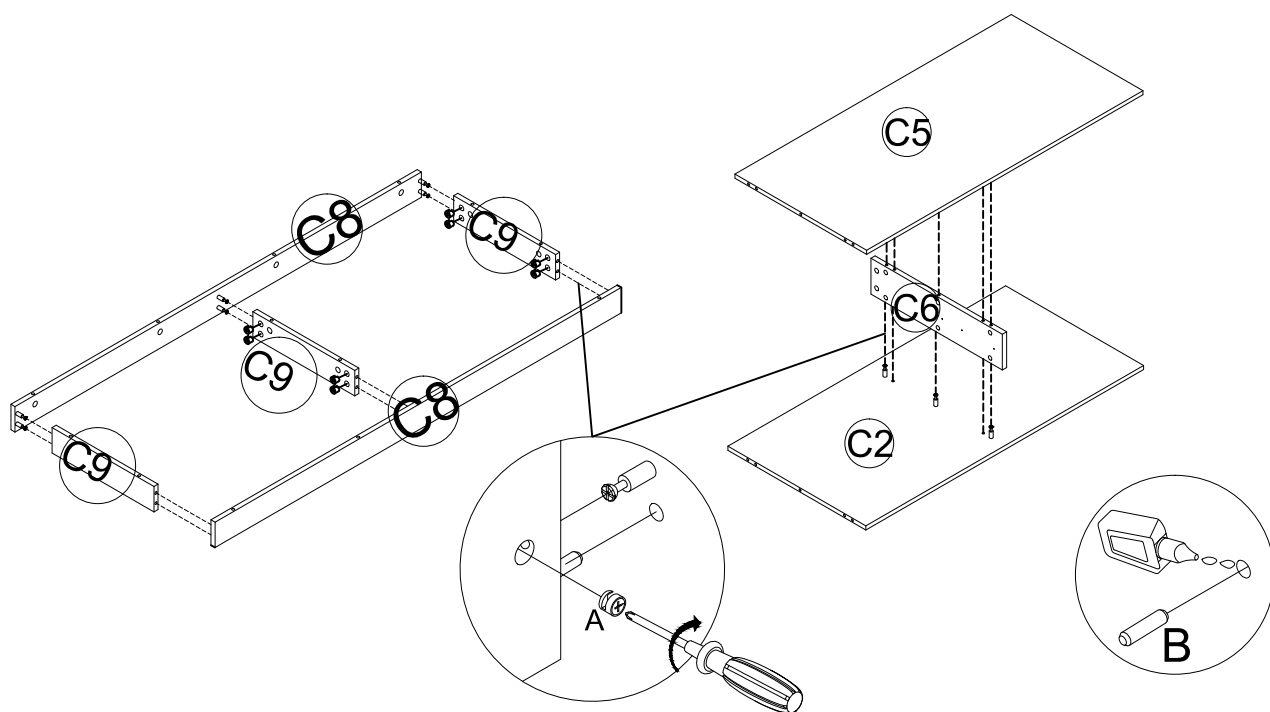
Carefully pull out the runner slide ( $G2$ ) and press plastic clip to fully separate runner slide as diagram shown



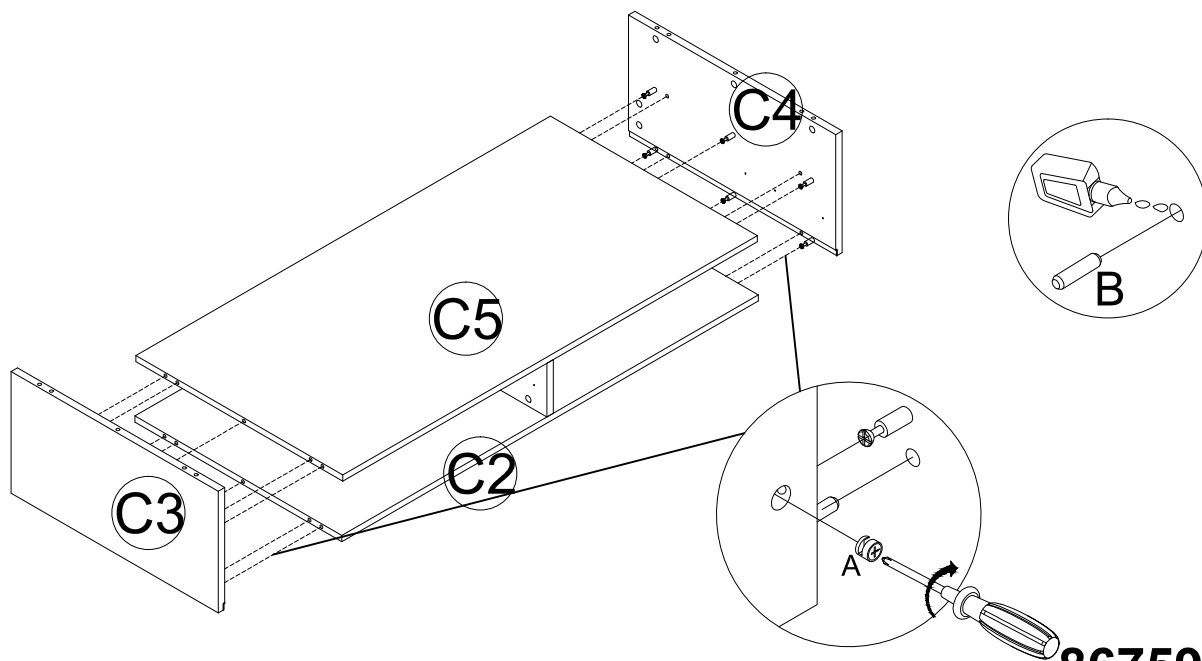
**STEP 2:** Use a Phillips Head Screwdriver to attach Cam Pin(A) to the Panel(C1,C2,C3,C4,C5,C6,C9). Use a Phillips Head Screwdriver to attach Dowel (B) to the Panel(C1,C2,C3,C4,C5,C7,C8). attached Runner(G1) to the Panel(C3,C4) with Screw(C). Use a Hex Key(E) to assemble Connect Tube(C16) to the Top Panel(C1) with Bolt(F)



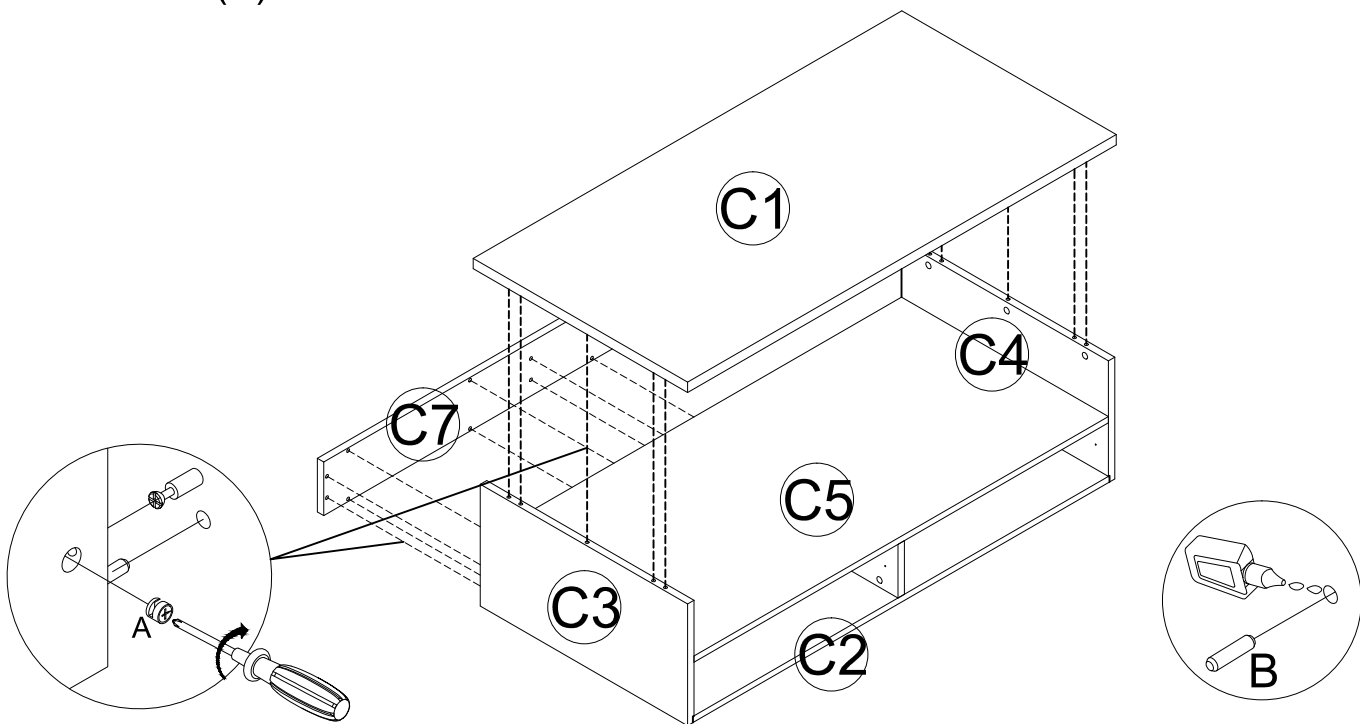
STEP 3: Attach Support Panel(C2&C5) to Shelf Panel(C6).And turn Cam lock(A) to lock into the head of Cam Pin(A).Use a Phillips Head Screwdriver to assemble Panel (C8) to the Panel(C9) with Cam Lock(A).



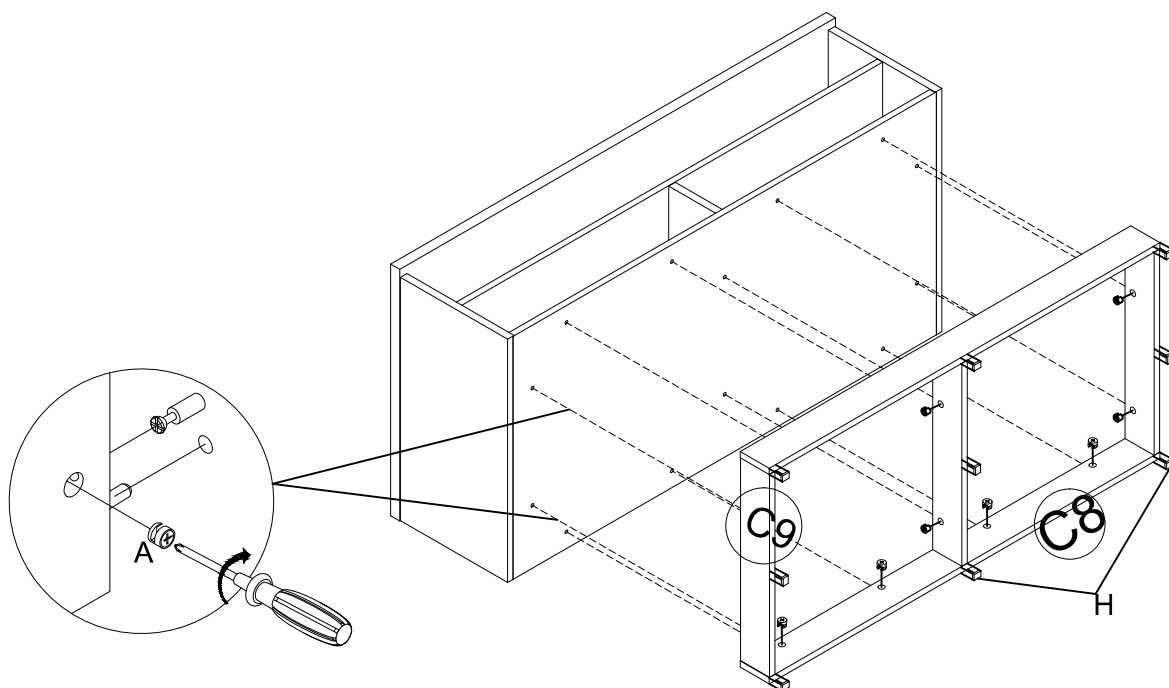
STEP 4: Attach Support Panel(C3&C4) to Shelf Panel(C2&C5).And turn Cam lock(A) to lock into the head of Cam Pin(A).



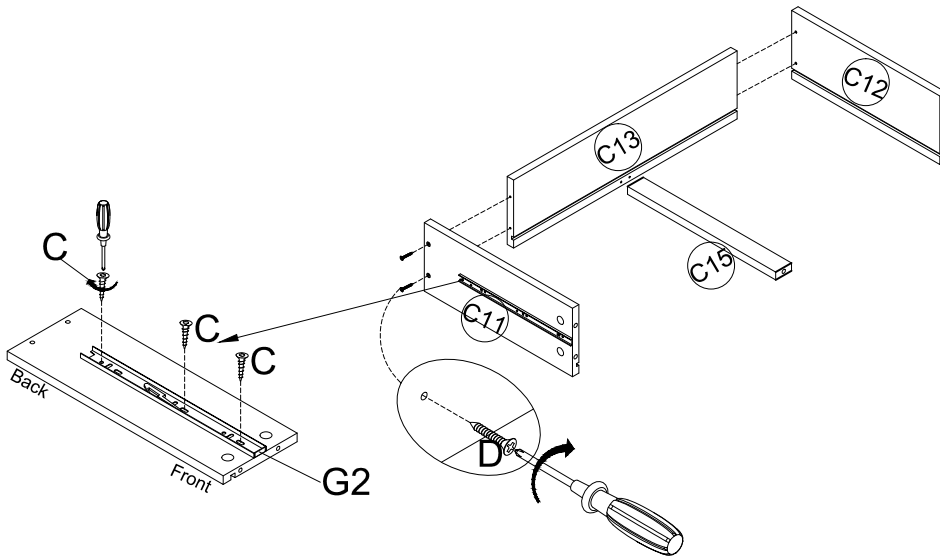
**STEP 5:** Attach Support Panel(C1) to Shelf Panel(C3&C4).And turn Cam lock(A) to lock into the head of Cam Pin(A).Attach Support Panel(C7) to Shelf Panel(C2&C3&C4&C5&C6).And turn Cam lock(A) to lock into the head of Cam Pin(A).



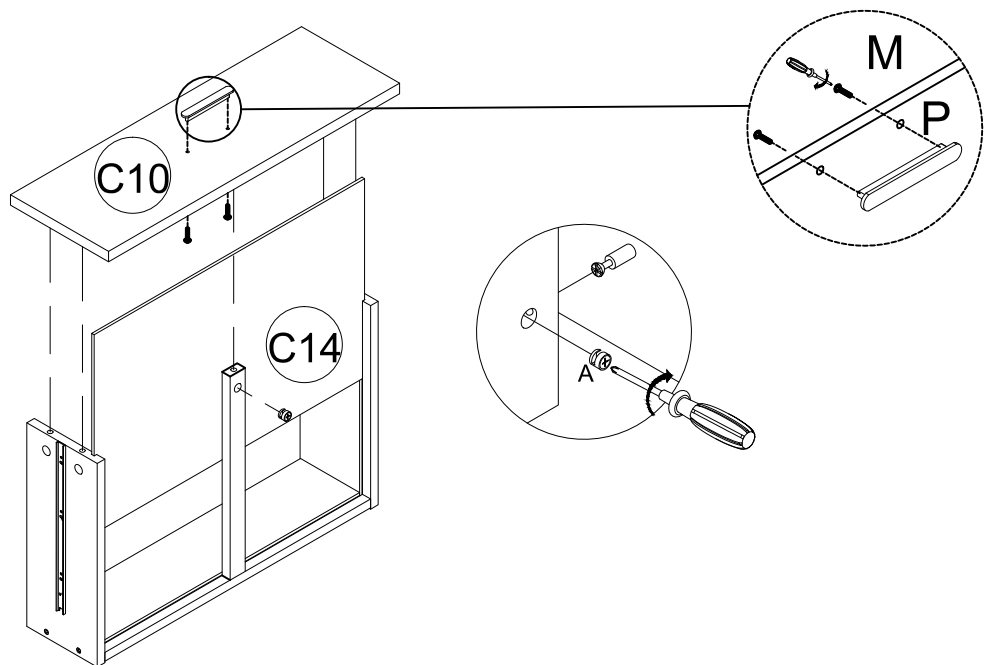
**STEP 6:** Use a Phillips Head Screwdriver to assemble Panel (C8,C9) to the Panel(C2) with Cam Lock(A).Stick Protest Foam(H) to the Panel(C8,C9).



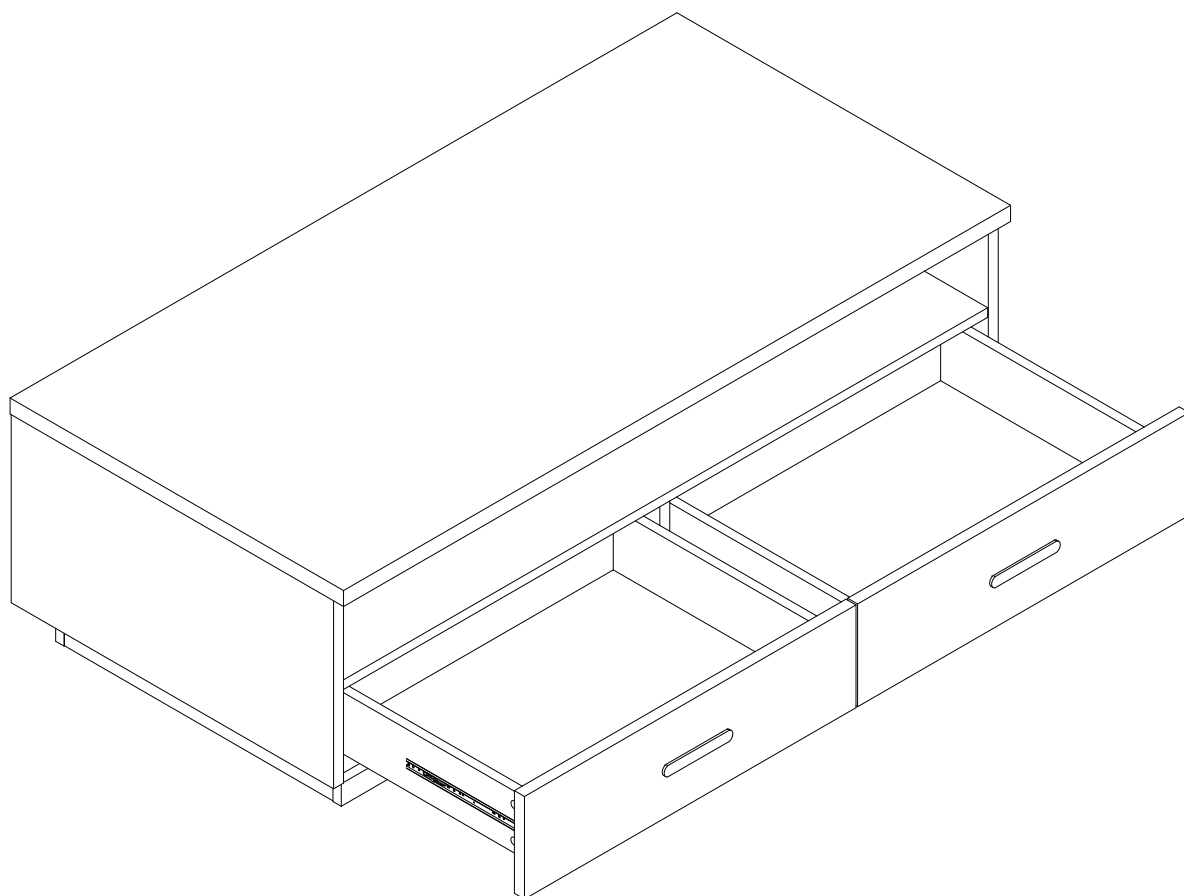
**STEP 7:** Use a Phillips Head Screwdriver to attach Runner(G2)to the Panel(C11,C12) with Screw(C).assemble Panel(C11,C12,C15) to the Drawer Back Panel(C13) withScrew(D)



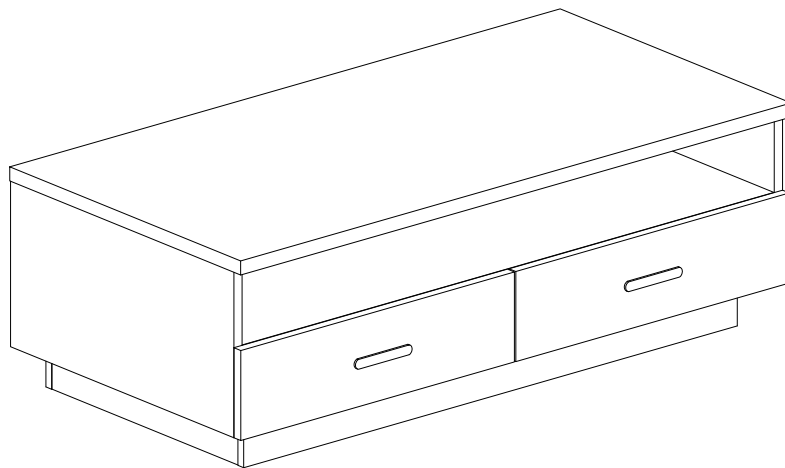
**STEP 8:** Insert the Drawer Bottom Panel(C14) to the groove,Use a PhillipsHead Screwdriver to assemble Panel(C11,C12,C15) to the Drawer Front Panel(C14) with Cam Lock(A).Attached Handle(P) to the Drawer Front Panel(C10) with Bolt(M)



STEP 9: insert the drawers into the body



**Assembly is complete**



**Note -**

Do not drag the furniture as this may cause damage to the legs. Instead, use 2 persons to lift carefully from either end.

## SAFETY BRACKETS INSTRUCTIONS

This furniture poses a tipping risk and as such must be secured to a wall using the provided tipping kit.

1. Attach one Mounting Plate to the wall with the Large Screws. Make sure to attach the Mounting Plate into a stud. If mounting into brick or masonry you will need to acquire wall anchors. Please enquire with your local hardware supplier for appropriate fixings.
2. Attach the second Mounting Plate to the furniture frame with the Short Screws.
3. Move the furniture to its final position. Thread a Wall Strap through the both Mounting Plates and tighten until snug. Do not over tighten.
4. Make sure that the Mounting Plates are firmly attached to the wall and furniture and that the Wall Strap is snug.

### HARDWARE



Mounting Plate x 2



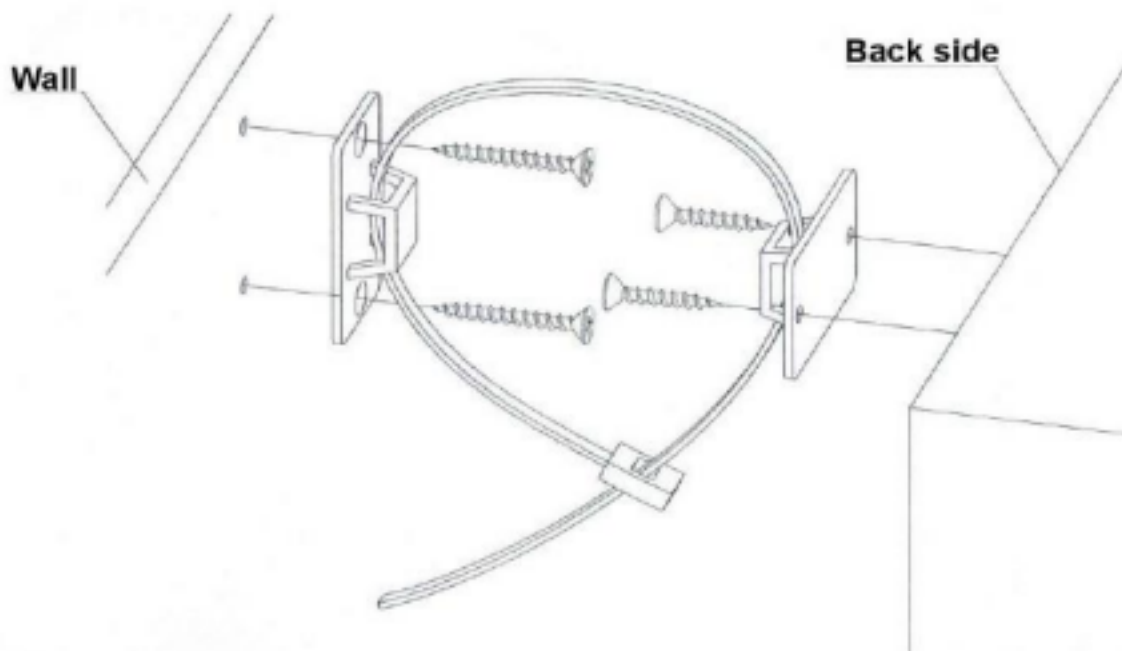
Wall Strap x 1



Large Screw x2



Small Screw x2



# General Product Care

To protect your furniture, we suggest the following:

- Avoid placing your furniture in direct sunlight.
- Do not place furniture directly under windows.
- Do not place sharp materials (knife, fork, etc.) directly onto your furniture as sharp material may scrape and damage the finish.
- Do not place material with high temperature directly onto the surface of your furniture.
- Clean up spills quickly. Water left over a prolonged period of time may cause damage. Alcohol, perfume, nail polishes, aftershave and some medication may cause severe finish damage if not cleaned immediately.
- Use a clean, soft, dry, lint free absorbent cloth to clean your furniture. Do not use any detergent as they may contain ingredients that may react and damage the finish.